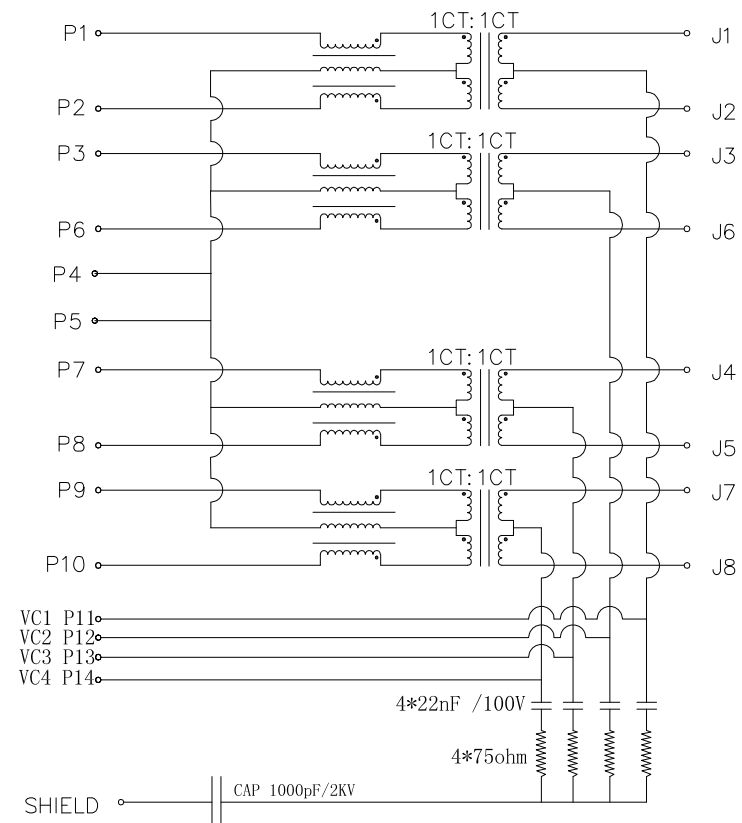


ELECTRICAL SPECIFICATIONS@25°C UNLESS OTHERWISE NOTED:

1. Turn Ratio(+/-2%):1CT:1CT
2. Inductance OCL:
350uH Min @100KHz 0.1V DC BIAS 8mA
3. Insertion Loss:
-1.0dB Max @1.0-100MHz
4. Return Loss:
-20dB Min @1-30MHz
-16dB Min @30-60MHz
-12dB Min @60-80MHz
5. Cross talk:
-40dB Min @1-30MHz
-35dB Min @30-80MHz
6. Common Mode Rejection:
-35dB Min @1-100MHz
-20dB Min @50-150MHz
7. HIPOT TEST:1500Vrms 1mA.Max
8. DC CURRENT /
VOLTAGE RATING - PSE PINS: 600mA MAX
@54V DC (CONTINUOUS) 30W

SCHEMATICS:



HULYN

深圳惠興力電子有限公司
SHEN ZHEN HUILY ELECTRONICS CO.,LTD.

A0	RELEASED	Peng	02/08-17
REV	DESCRIPTION.	APPD.	Date

FILE NO : HRK1(Series)		TITLE 圖名		RJ45 Connector With Transformer 1000Base Tab-down 1x1 Port with LED with PoE		UNIT 單位	mm inch
TOLERANCE(公差): 0.000 mm ± 0.075 mm 0.00 mm ± 0.15 mm 0.0 mm ± 0.25 mm		PART NO. 料號		HRK1-1B71PG5-36A1BB-1R		SCALE 比例	1:1
		DRAWN BY 製圖		Peng	DATE 日期	2017-08-02	REV. 版本
		CHECKED BY 審核		Zhu	DATE 日期	2017-08-02	⊕