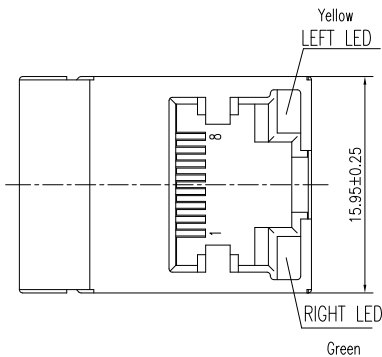
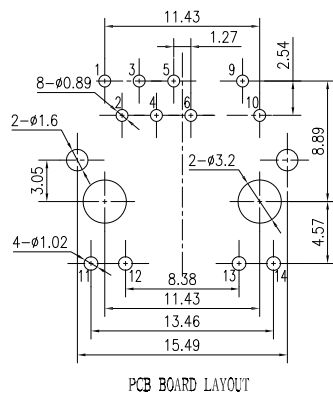
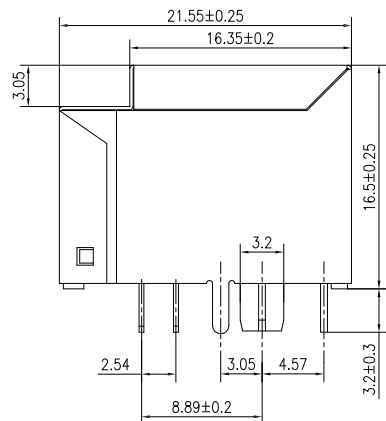
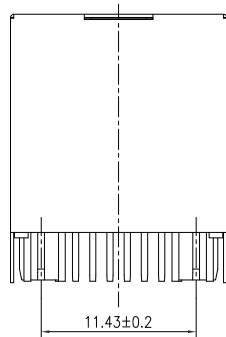


MECHANICAL:



Metal Shell : Copper Alloy, Finish: 30u" Nickel
 Housing : Thermoplastic,PBT,UL 94V-0,Black
 Insert : Thermoplastic,PBT,UL 94V-0,Black
 Contact Terminal/phosphor Bronze
 6u" Gold on Contact Area, 100u" Tin on Solder,
 Both over 50u" Nickel Under-Plated
 Coil Base : Phenolic,PBT,UL 94V-0,Black
 Terminal/Copper Alloy T=0.35mm Thickness

Meets or exceeds IEEE 802.3 standard for 10/100 Base-TX
 350uH minimum OCL with 8mA Bias current
 Available with or without LEDs
 Minimum 1500Vrms isolation per IEEE802.3 requirement
 Operating temperature 0°c to +70°c
 Storage temperature -40°c to +85°c

LED ELECTRICAL CHARACTERISTIC



Standard LED	Wavelength	Forward V (Min/Max)	Forward A	Type
Green	568nm	1.8V/2.8V	20mA	squareness
Yellow	585nm	1.8V/2.8V	20mA	squareness
Orange	610nm	1.8V/2.8V	20mA	squareness

HULYN

深圳惠興力電子有限公司
 SHEN ZHEN HUILY ELECTRONICS CO.,LTD.

FILE NO :	HRV5(Series)
TOLERANCE(公差) :	0.000 mm ± 0.10 mm 0.00 mm ± 0.25 mm 0.0 mm ± 0.30 mm
A0	RELEASED Peng 06/11-19
REV	DESCRIPTION. APPD. Date
	HBJ-Z65DC02BNL

TITLE	RJ45 Connector With Transformer 100Base 1x1 Port with LED		UNIT	mm
圖名			單位	inch
PART NO.	HRV5-1B23PF23-3A1BA-1R		SCALE	1:1
料號			比例	
DRAWN BY	Peng	DATE	2019-11-06	REV.
製圖		日期		版本
CHECKED BY	Zhu	DATE	2019-11-06	A.0
審核		日期		

ELECTRICAL SPECIFICATIONS@25°C UNLESS OTHERWISE NOTED:

1.Turn Ratio(+/-2%):1CT:1CT

2.Inductance OCL:
350uH Min @100KHz 0.1V DC BIAS 8mA

3.Insertion Loss:
-1.0dB Max @1.0-100MHz

4.Return Loss:
-20dB Min @1-10MHz
-16dB Min @10-30MHz
-12dB Min @30-60MHz
-10dB Min @60-100MHz

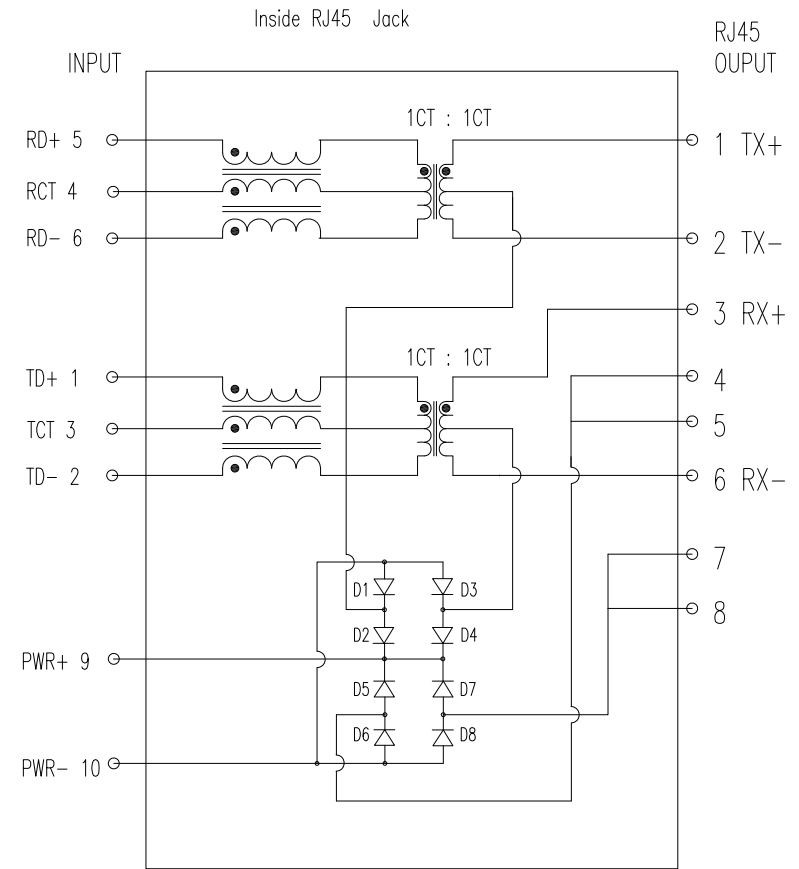
5.Cross talk:
-40dB Min @1-30MHz
-35dB Min @30-60MHz
-30dB Min @60-100MHz

6.Common Mode Rejection:
-35dB Min @1-100MHz
-20dB Min @50-150MHz

7.HIPOT TEST:1500Vrms 1mA.Max

8.DC CURRENT /
VOLTAGE RATING - PSE PINS: 600mA MAX
@54V DC (CONTINUOUS)

SCHEMATICS:



HULYN

深圳惠興力電子有限公司
SHEN ZHEN HUILY ELECTRONICS CO.,LTD.

FILE NO : HRV5(Series)

TITLE
圖名

RJ45 Connector With Transformer
100Base 1x1 Port with LED

UNIT
單位

mm
inch

TOLERANCE(公差):
0.000 mm ± 0.10 mm
0.00 mm ± 0.25 mm
0.0 mm ± 0.30 mm

PART NO.
料號

HRV5-1B23PF23-3A1BA-1R

SCALE
比例

1:1

DRAWN BY
製圖

Peng

DATE
日期

2019-11-06

REV.
版本

A.0

CHECKED BY
審核

Zhu

DATE
日期

2019-11-06

Symbol

A0	RELEASED	Peng	06/11-19
REV	DESCRIPTION.	APPD.	Date

A

B

C

D