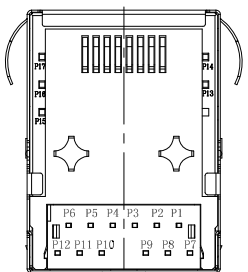
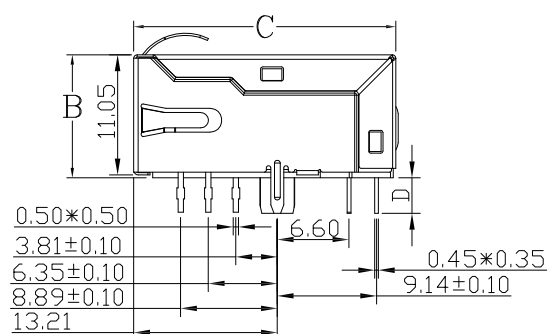
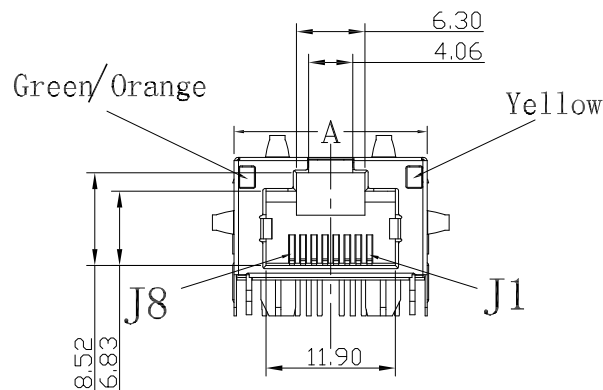


MECHANICAL:



UNIT : mm / inch
 A = 17.78 / 0.700
 B = 11.30 / 0.445
 C = 24.13 / 0.950
 D = 3.30 / 0.130

Unless otherwise specified, all dimensions tolerances is $\pm 0.254 / 0.010$.

Metal Shell : Copper Alloy, Finish: 30u" Nickel
 Housing : Thermoplastic, PBT, UL 94V-0, Black
 Insert : Thermoplastic, PBT, UL 94V-0, Black
 Contact Terminal/phosphor Bronze
 6u" Gold on Contact Area, 100u" Tin on Solder,
 Both over 50u" Nickel Under-Plated
 Coil Base : Phenolic, PBT, UL 94V-0, Black
 Terminal/Copper Alloy T=0.35mm Thickness

Meets or exceeds IEEE 802.3 standard for 10/100/1000 Base-TX
 350uH minimum OCL with 8mA Bias current
 Available with or without LEDs
 Minimum 1500Vrms isolation per IEEE802.3 requirement
 Operating temperature 0°C to +70°C
 Storage temperature -40°C to +85°C

LED ELECTRICAL CHARACTERISTIC			
P15		P13	
P16		P14	
P17			
LEFT LED		RIGHT LED	

Standard LED	Wavelength	Forward V (Min/Max)	Forward A	Type
Green	568nm	1.8V/2.8V	20mA	squareness
Yellow	585nm	1.8V/2.8V	20mA	squareness
Orange	610nm	1.8V/2.8V	20mA	squareness

HULYN

深圳惠興力電子有限公司
SHEN ZHEN HUILY ELECTRONICS CO.,LTD.

FILE NO : HRC3(Series)		TITLE 圖名		RJ45 Connector With Transformer 1000Base Tab-UP 1x1 Port with LED		UNIT 單位	mm inch
TOLERANCE(公差): 0.000 mm \pm 0.10 mm 0.00 mm \pm 0.25 mm 0.0 mm \pm 0.30 mm		PART NO. 料號		HRC3-1AK1G14-3M1BB-1R		SCALE 比例	1:1
DRAWN BY 製圖		Peng		DATE 日期	2019-12-06	REV. 版本	A.0
CHECKED BY 審核		Zhu		DATE 日期	2019-12-06		

ELECTRICAL SPECIFICATIONS@25°C UNLESS OTHERWISE NOTED:

1.Turn Ratio(+/-2%):1CT:1CT

2.Inductance OCL:

350uH Min @100KHz 0.1V DC BIAS 8mA

3.Insertion Loss:

-1.0dB Max @1.0-100MHz

4.Return Loss:

-20dB Min @1-10MHz

-16dB Min @10-30MHz

-12dB Min @30-60MHz

-10dB Min @60-100MHz

5.Cross talk:

-40dB Min @1-30MHz

-35dB Min @30-60MHz

-30dB Min @60-100MHz

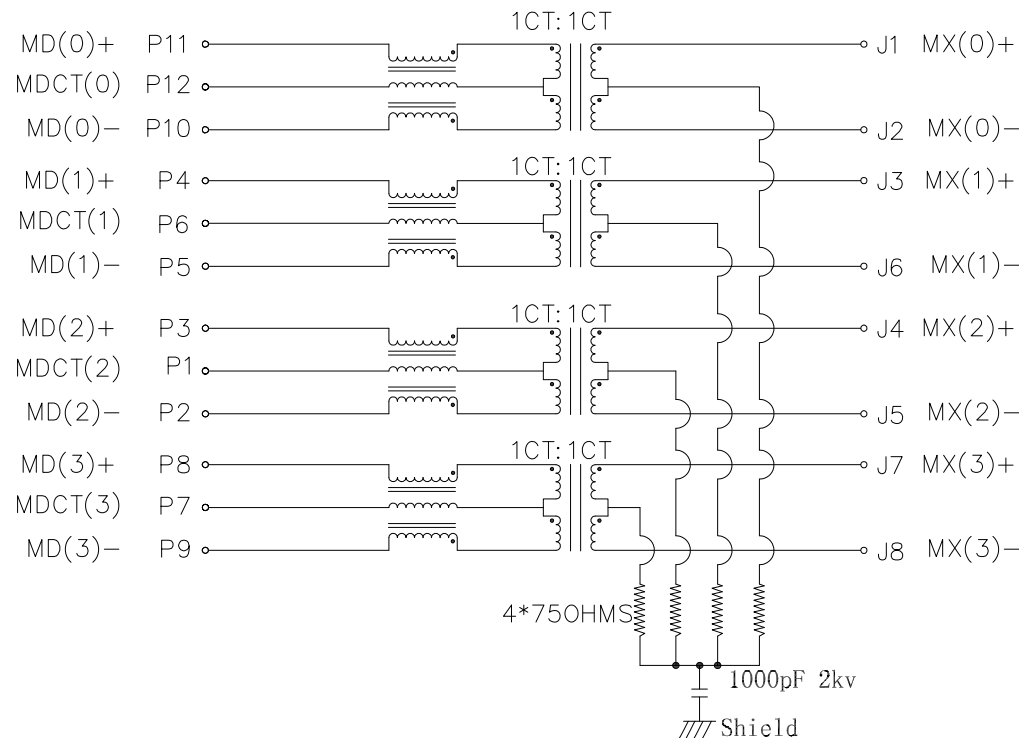
6.Common Mode Rejection:

-35dB Min @1-100MHz

-20dB Min @50-150MHz

7.HIPOT TEST:1500Vrms 1mA.Max

SCHEMATICS:



HULYN

深圳惠興力電子有限公司
SHEN ZHEN HUILY ELECTRONICS CO.,LTD.

FILE NO : HRC3(Series)

TITLE
圖名

RJ45 Connector With Transformer
1000Base Tab-UP 1x1 Port with LED

UNIT
單位

mm
inch

TOLERANCE(公差):

0.000 mm ± 0.10 mm

0.00 mm ± 0.25 mm

0.0 mm ± 0.30 mm

PART NO.
料號

HRC3-1AK1G14-3M1BB-1R

SCALE
比例

1:1

DRAWN BY
製圖

Peng

DATE
日期

2019-12-06

REV.
版本

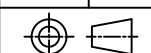
A.0

CHECKED BY
審核

Zhu

DATE
日期

2019-12-06



A0	RELEASED	Peng	06/12-19
REV	DESCRIPTION.	APPD.	Date

A

B

C

D