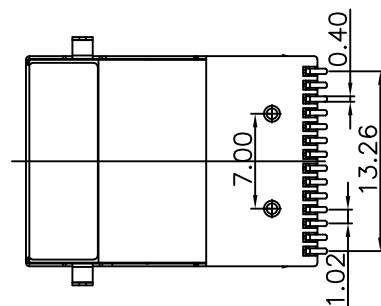
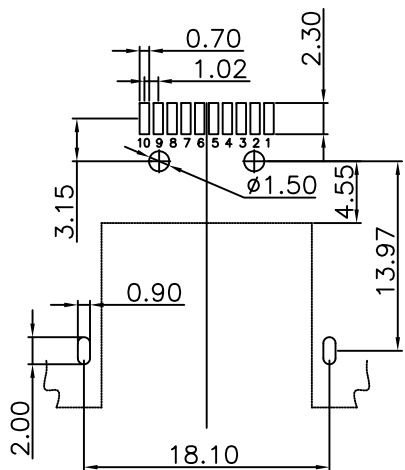
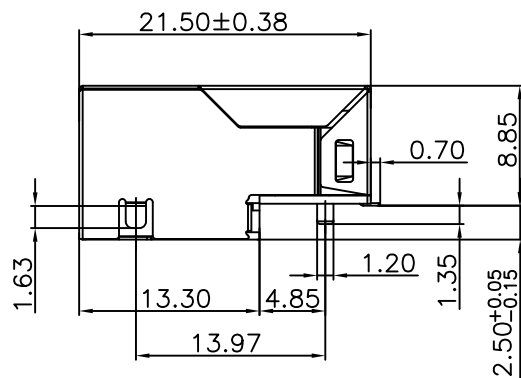
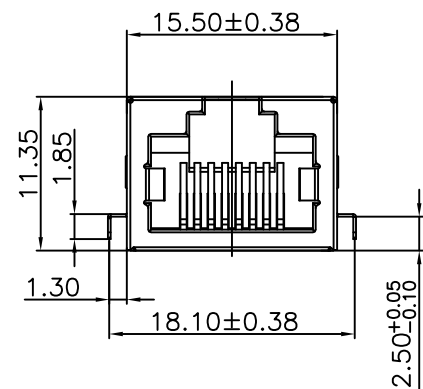


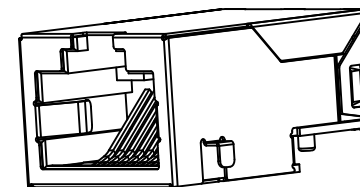
MECHANICAL:



Recommended P.C.Board
Layout
(Tolerance:±0.05)

Metal Shell :Copper Alloy, Finish: 30u" Nickel
 Housing :Thermoplastic,LCP,UL 94V-0,Black
 Insert :Thermoplastic,LCP,UL 94V-0,Black
 Contact Terminal/phosphor Bronze
 6u" Gold on Contact Area, 100u" Tin on Solder,
 Both over 50u" Nickel Under-Plated
 Coil Base :Phenolic,LCP,UL 94V-0,Black
 Terminal/Copper Alloy T=0.35mm Thickness

Meets or exceeds IEEE 802.3 standard for 10/100/1000 Base-TX
 350uH minimum OCL with 8mA Bias current
 Available with or without LEDs
 Minimum 1500Vrms isolation per IEEE802.3 requirement
 Operating temperature 0°c to +70°c
 Storage temperature -40°c to +85°c



HULYN

深圳惠興力電子有限公司
 SHEN ZHEN HUILY ELECTRONICS CO.,LTD.

A0	RELEASED	Peng	03/09-19
REV	DESCRIPTION.	APPD.	Date

FILE NO : HRBC(Series)		TITLE 圖名		RJ45 Connector With Transformer 1000Base Tab-up 1x1 Port		UNIT 單位	mm inch
TOLERANCE(公差): 0.000 mm ± 0.15 mm 0.00 mm ± 0.25 mm 0.0 mm ± 0.30 mm		PART NO. 料號		HRBC-1BG76-36BC-2R		SCALE 比例	1:1
DRAWN BY 製圖		Peng	DATE 日期	2019-09-03	REV. 版本	A.0	
CHECKED BY 審核		Zhu	DATE 日期	2019-09-03			

ELECTRICAL SPECIFICATIONS@25°C UNLESS OTHERWISE NOTED:

1.Turn Ratio(+/-2%):1CT:1CT

2.Inductance OCL:
350uH Min @100KHz 0.1V DC BIAS 8mA

3.Insertion Loss:
-1.0dB Max @1.0-100MHz

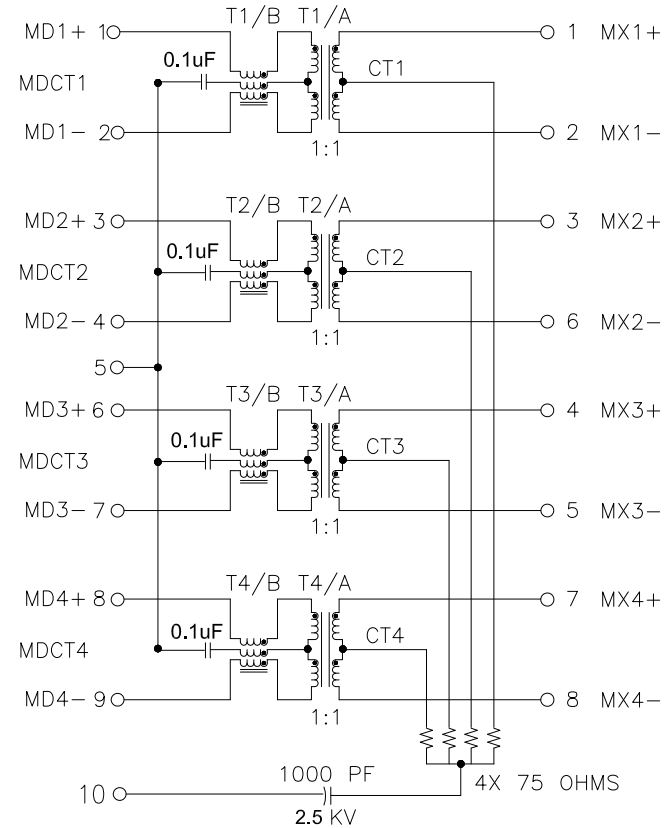
4.Return Loss:
-20dB Min @1-10MHz
-16dB Min @10-30MHz
-12dB Min @30-60MHz
-10dB Min @60-100MHz

5.Cross talk:
-40dB Min @1-30MHz
-35dB Min @30-60MHz
-30dB Min @60-100MHz

6.Common Mode Rejection:
-35dB Min @1-100MHz
-20dB Min @50-150MHz

7.HIPOT TEST:1500Vrms 1mA.Max

SCHEMATICS:



HULYN

深圳惠興力電子有限公司
SHEN ZHEN HUILY ELECTRONICS CO.,LTD.

A0	RELEASED	Peng	03/09-19
REV	DESCRIPTION.	APPD.	Date

FILE NO : HRBC(Series)		TITLE 圖名		RJ45 Connector With Transformer 1000Base Tab-up 1x1 Port		UNIT 單位	mm inch
TOLERANCE(公差): 0.000 mm ± 0.15 mm 0.00 mm ± 0.25 mm 0.0 mm ± 0.30 mm		PART NO. 料號		HRBC-1BG76-36BC-2R		SCALE 比例	1:1
		DRAWN BY 製圖		Peng	DATE 日期	2019-09-03	REV. 版本
		CHECKED BY 審核		Zhu	DATE 日期	2019-09-03	⊕