

SPECIFICATION NOTES:

ELECTRICAL:

- VOLTAGE RATING: 125 VAC RMS
- CURRENT RATING: 1.5 AMP
- CONTACT RESISTANCE: 3.0mΩ MAX.
- INSULATION RESISTANCE: 500MΩMIN.
- DIELECTRIC STRENGTH: 1000 VAC 50Hz 1MINUTE

MECHANICAL:

- SHIELD: BRASS T=0.2MM, Finish: 30u" Nickel
- HOUSING /INSERT MATERIAL:
THERMOPLASTIC, LCP BLACK UL94V-0,
- CONTACT MATERIAL:PHOSPHOR BRONZE T=0.3MM
- PLATING:GOLD PLATING OVER NICKEL, PLATED NICKEL 30-50U". SN 100-120U. GOLD PLATED ON CONTENT AREA 1U
- OPERATING LIFE:750 CYCLES MIN.

ENVIRONMENTAL:

- STORAGE:-40° C TO +85° C
- OPERATION: 0° C TO 75° C

Part Number:
HR60141S-1188N X 5 B-X X-2 R

Electroplating:
0=FU金 1=1U金 2=2.5U金
3=3U金 4=6U金 5=15U金
6=30U金 7=50U金

Material:
1=PBT 2=PA46
3=PA66 4=PA9T 5=LCP

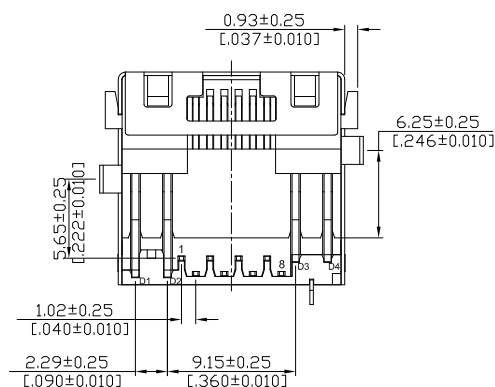
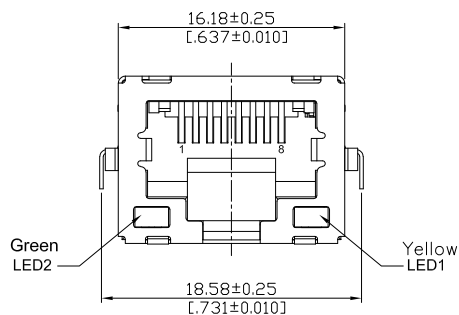
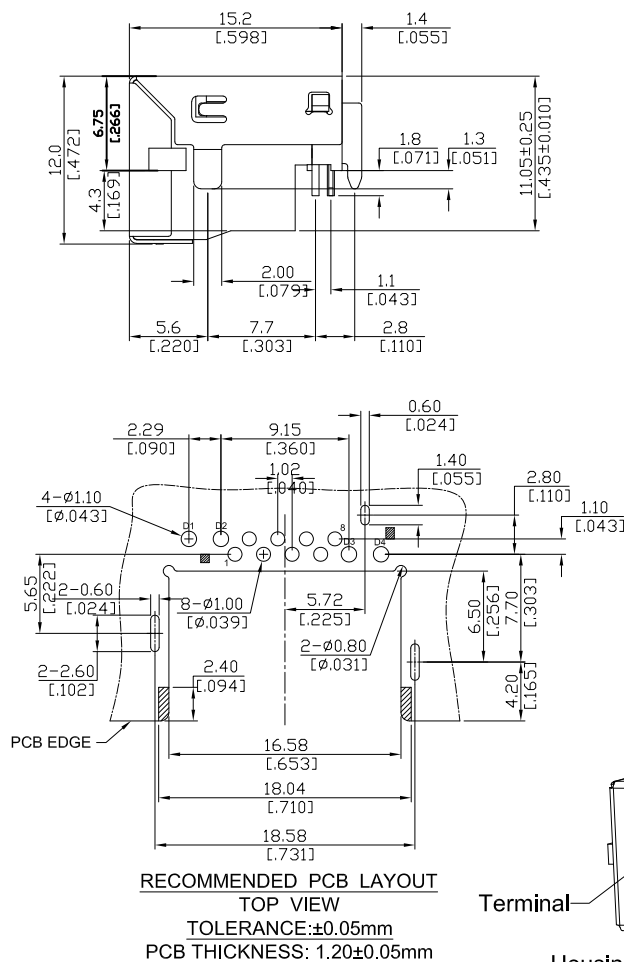
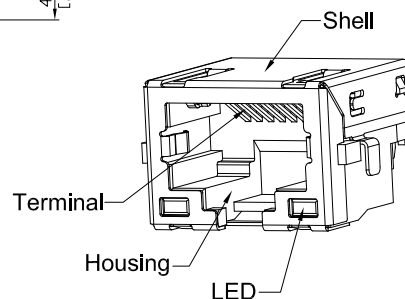
Colour:
B=黑色 G=绿色 R=红色 Y=黄色
V=紫色 W=白色 H=灰色 L=蓝色

environmental protection:
R=Rohs Free
H=Halogen Free

Packing:
1=Tray
2=Tape Reel

Electric polarity:
1=+L +R 2=+L -L+ 3=-L +R
4=-L +R 5=+L -L+ 6=+L -右边

W/O LED Z		RIGHT LED					
		YELLOW	GREEN	ORANGE	GO	GY	BLUE
LEFT LED	YELLOW	1	2	3	4	5	6
	GREEN	7	8	9	A	B	C
	ORANGE	D	E	F	G	H	J
	GO	K	L	M	N	P	Q
	GY	R	S	T	U	V	W
BLUE		Y					



LED ELECTRICAL CHARACTERISTIC



Standard LED	Wavelength	Forward V (Min/Max)	Forward A	Type
Green	568nm	1.8V/2.8V	20mA	squareness
Yellow	585nm	1.8V/2.8V	20mA	squareness
Orange	610nm	1.8V/2.8V	20mA	squareness

REV	DESCRIPTION.	APPD.	Date
A0	RELEASED	Peng	30/12-19

HULYN

深圳惠興力電子有限公司
SHEN ZHEN HUILY ELECTRONICS CO.,LTD.

FILE NO :HR60141S(Series)	TITLE 圖名	RJ45 DIP/沉板式/H12.0/板上高度6.75/带灯		UNIT 單位	mm inch
TOLERANCE(公差): 0.000 mm ± 0.10 mm 0.00 mm ± 0.25 mm 0.0 mm ± 0.30 mm	PART NO. 料號	HR60141S-1188N15B-71-2R		SCALE 比例	1:1
	DRAWN BY 製圖	Peng	DATE 日期	2019-12-30	REV. 版本
	CHECKED BY 審核	Zhu	DATE 日期	2019-12-30	