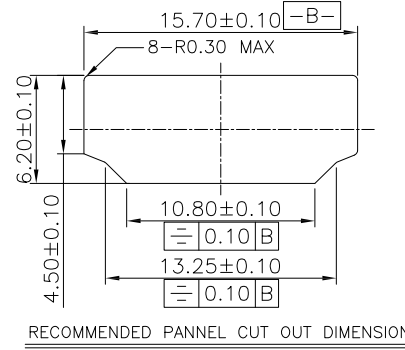
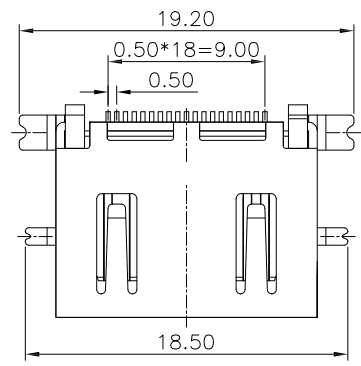


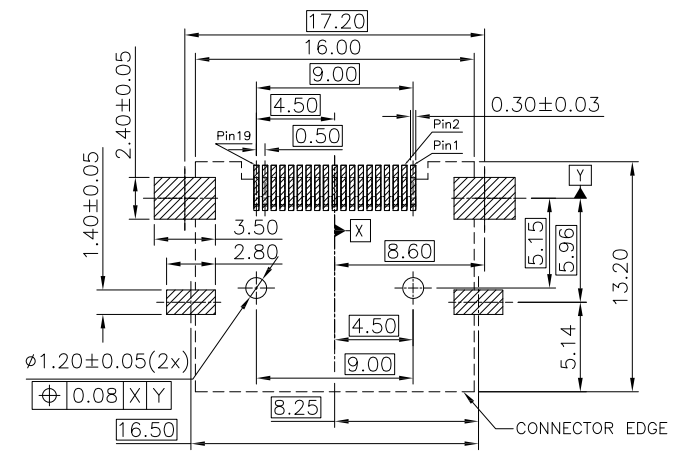
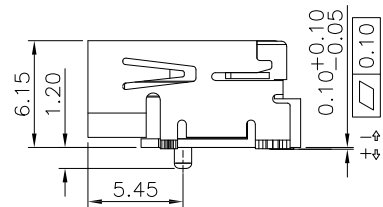
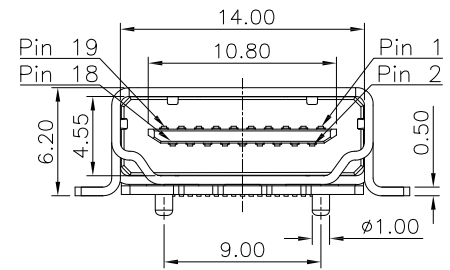
NOTES:
 1. MATERIAL:
 HOUSING--HIGH TEMP THERMAL PLASTIC, UL 94V-0, BLACK;
 TERMINAL--COPPER ALLOY;
 SHELL--COPPER ALLOY OR SPCC;
 2. PLATING:
 TERMINAL--GOLD FLASH PLATING ON CONTACT AREA
 SOLDERING AREA--100u" MIN TIN PLATING ON SOLDER TAILA
 SHELL--80u" MIN NICKEL PLATING;



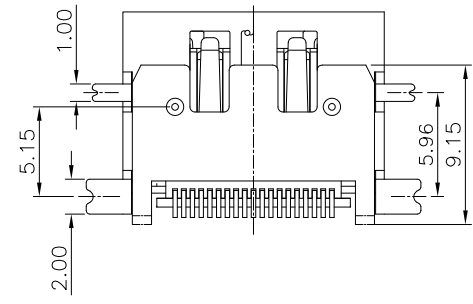
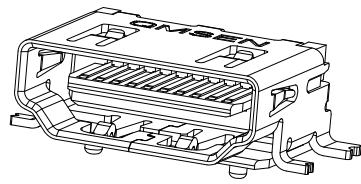
Ordering Information

H160-FM11-1 X X B X - X X

- Shell
 - 1=Iron Alloy Ni Plating
 - 2=Iron Alloy Au Plating
 - 3=Copper Alloy Ni Plating
 - 4=Copper Alloy Au Plating
- Plastic material
 - E=LCP
- Electroplating
 - 0=FU/Tin
 - 2=3u"金/Tin
 - 3=5u"金/Tin
 - 4=10u"金/Tin
 - 5=15u"金/Tin
 - 6=30u"金/Tin
- Packing
 - B=TUBE
 - C=TRAY
 - D=TAPE REEL
 - E=TAPE REEL+MYLAR
- Environmental protection
 - H=Halogen
 - R=ROHS



RECOMMENDED P.C.BOARD LAYOUT (TOP VIEW)
 TOLERANCES UNLESS OTHERWISE SPEC.±0.05
 [Hatched Area] Hole AREA [Dashed Area] KEEP OUT AREA



<h1>HULYN</h1>		深圳惠興力電子有限公司 SHEN ZHEN HUILY ELECTRONICS CO.,LTD.						
		FILE NO :H160(Series)	TITLE 圖名	HDMI SMT TYPE 四脚L型双柱9.0	UNIT 單位	mm inch		
TOLERANCE(公差): 0.000 mm ± 0.10 mm 0.00 mm ± 0.25 mm 0.0 mm ± 0.30 mm		PART NO. 料號	H160-FM11-13EB0-DR		SCALE 比例	1:1		
		DRAWN BY 製圖	Peng	DATE 日期	2019-12-18	REV. 版本	A.0	
REV	DESCRIPTION.	APPD.	Date	CHECKED BY 審核	Zhu	DATE 日期	2019-12-18	

A0	RELEASED	Peng	18/12-19
REV	DESCRIPTION.	APPD.	Date