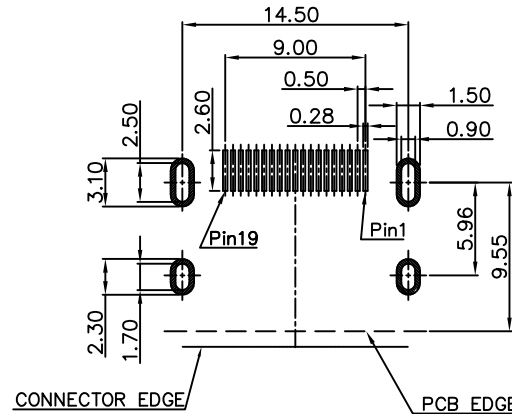
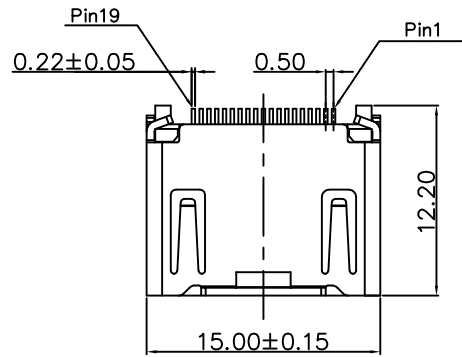


MECHANICAL:



RECOMMENDED PCB LAYOUT (TOP VIEW)

TOLERANCE: ±0.05mm

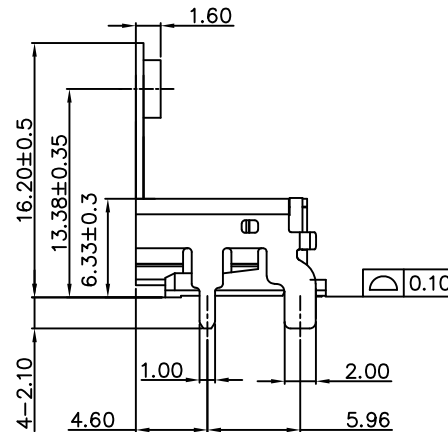
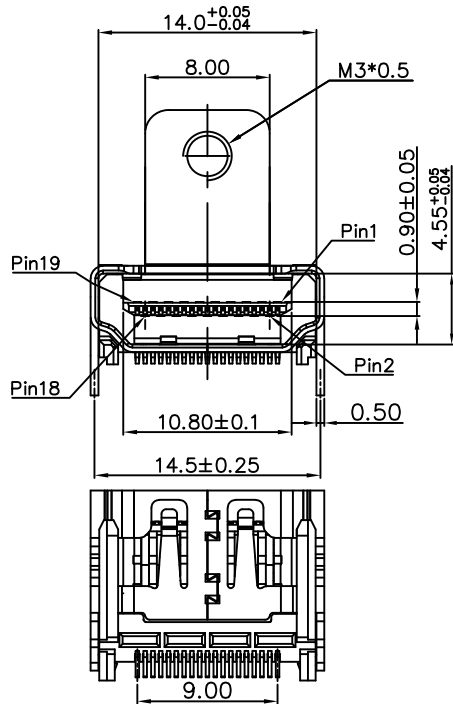
SPECIFICATIONS:

1. ELECTRICAL CHARACTERISTICS
  - 1-1. CURRENT RATING: 0.5 AMP
  - 1-2. VOLTAGE RATING: 40 V
  - 1-3. CONTACT RESISTANCE: 30MILLIOHMS MAX
  - 1-4. INSULATION RESISTANCE: 100M MIN. @500V DC
  - 1-5. DIELECTRIC WITHSTANDING VOLTAGE: 500V AC FOR 1 MINUTE
2. MECHANICAL CHARACTERISTICS:
  - 2-1. INSERTION FORCE : 4.5KGF MAX.
  - 2-2. WITHDRAWING FORCE : 1KGF ~ 4KGF.
3. LIFE TEST: 10000 CYCLES
4. OPERATING TEMPERATURE: -25°C TO +85°C

Ordering Information

H160-FM06-1 X X B X - X X

- Shell
  - 1=Iron Alloy Ni Plating
  - 2=Iron Alloy Au Plating
  - 3=Copper Alloy Ni Plating
  - 4=Copper Alloy Au Plating
- Plastic material
  - A=PBT
  - B=PA9T
  - E=LCP
- Electroplating
  - 0=FU/Tin
  - 1=1u"金/Tin
  - 2=3u"金/Tin
  - 3=5u"金/Tin
  - 4=10u"金/Tin
  - 5=15u"金/Tin
  - 6=30u"金/Tin
- Packing
  - B=TUBE
  - C=TRAY
  - D=TAPE REEL
  - E=TAPE REEL+MYLAR
- Environmental protection
  - H=Halogen
  - R=ROHS



C	SHELL	1	C2680R-H Ni 50u" T=0.5mm PLATING ALL OVER
B	TERMINAL	19	C2680R-H SEE PART NO.
A	HOUSING	1	LCP E130i UL94V-0 BLACK
NO	PART NAME	QTY	MATERIAL PLATING & COLOR

**HULYN** 深圳惠興力電子有限公司  
SHEN ZHEN HUILY ELECTRONICS CO.,LTD.

FILE NO : H160( Series)

TOLERANCE(公差):  
0.000 mm ± 0.075 mm  
0.00 mm ± 0.15 mm  
0.0 mm ± 0.25 mm

TITLE 圖名	DMI SMT Molding式銅壳鍍銀四直脚四正反彈片,側模印,壳脚長2.1,有耳,螺孔高13.38,胶无柱 端子Fu"金,霧錫			UNIT 單位	mm inch
PART NO. 料號	H160-FM06-13EB0-DR			SCALE 比例	1:1
DRAWN BY 製圖	Peng	DATE 日期	2014-07-05	REV. 版本	A.0
CHECKED BY 審核	Zhu	DATE 日期	2014-07-05		

A0	RELEASED	Peng	05/07-14
REV	DESCRIPTION.	APPD.	Date